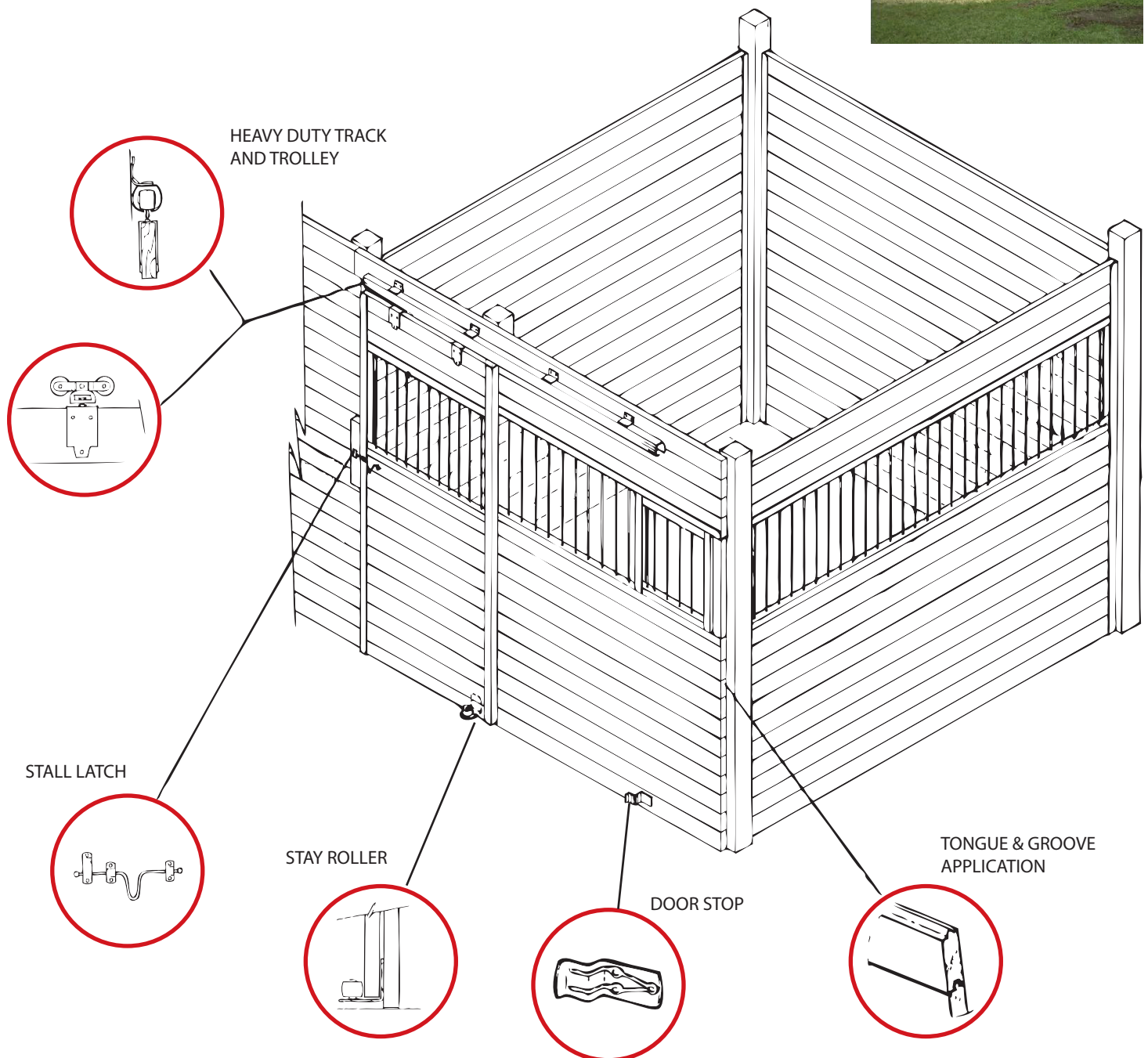


Quality Stall Systems

Quick Assembly & Quality Features
Complete Systems & Individual Components
Strong, Flexible, Safe
Attractive Aluminum Construction



Unique design and quality features...

From the complete system to individual components

Paragon stall systems and components are designed to meet the needs of horse owners by combining the strength and flexibility required for safe and easy to assemble stall systems.

All aluminum components guard against rust, constant abuse and corrosion year after year. Splintering due to cribbing and chewing is nonexistent because the wall and door edges are framed within an aluminum U-channel which leaves only the flat wood surfaces exposed.

5' 7" STALL FRONT

QUANTITY	SIZE	DESCRIPTION
2	5' 7"	PUNCHED STALL RAILS
17	30"	BARS

ADDITIONAL MATERIALS REQUIRED:

14	2" X 6" X 8'	TONGUE & GROOVE
1	2" X 6" X 10'	TACK BOARD & FASTENERS

7' 7" STALL FRONT

QUANTITY	SIZE	DESCRIPTION
2	7' 7"	PUNCHED STALL RAILS
22	30"	BARS

ADDITIONAL MATERIALS REQUIRED:

14	2" X 6" X 10'	TONGUE & GROOVE
1	2" X 6" X 12'	TACK BOARD & FASTENERS

4' 0" x 8' 0" STALL SLIDER

QUANTITY	SIZE	DESCRIPTION
1	8'	SIDEMOUNT TRACK
2		WOOD DOOR TROLLEYS
1		SLIDING BOLT LATCH
1		SMALL ADJUSTABLE STAY ROLLER
1		NON-ADJUSTABLE DOOR STOP
2	8'	PLAIN STALL RAILS
2	44-1/2"	PUNCHED STALL RAILS
10	30"	BARS

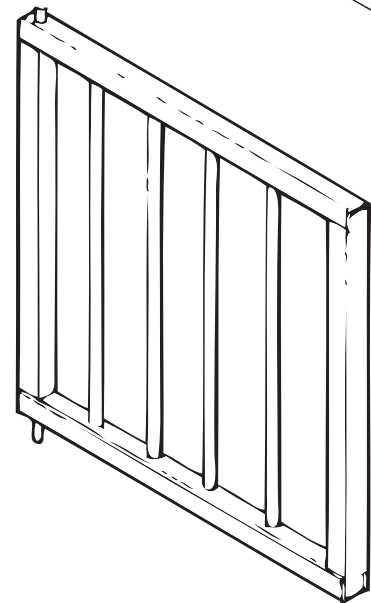
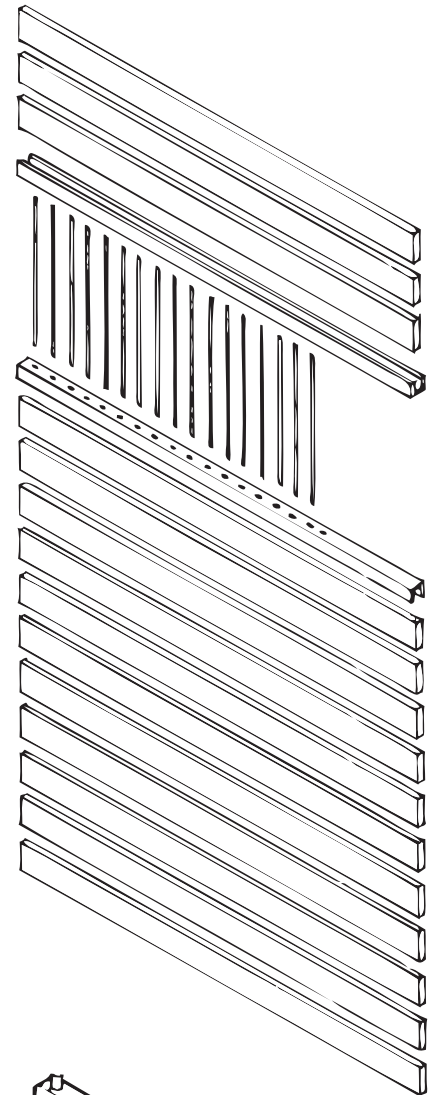
ADDITIONAL MATERIALS REQUIRED:

14	2" X 6" X 4'	TONGUE & GROOVE AND FASTENERS
----	--------------	-------------------------------

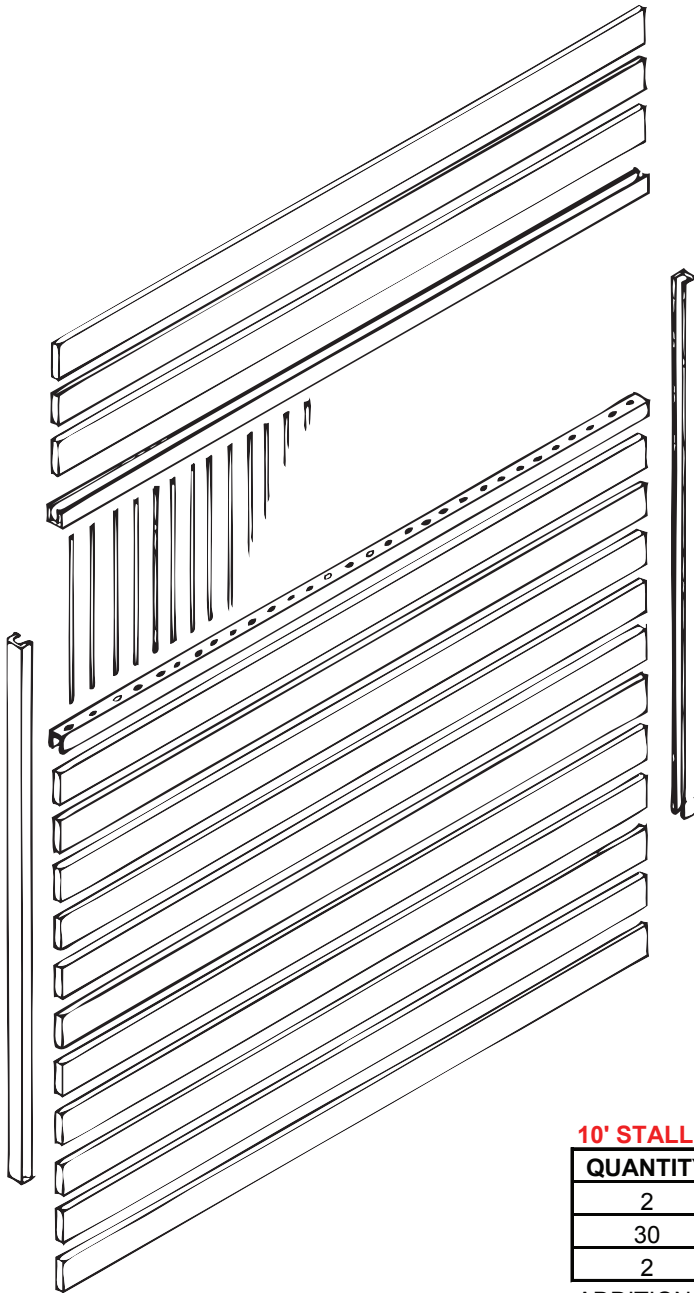
STALL FEED DOOR - PREASSEMBLED WITH DROP BAR LATCH

QUANTITY	SIZE	DESCRIPTION
1	24" X 28"	STALL FEED DOOR

ADDITIONAL MATERIALS REQUIRED: NONE



Precision-engineered for easy assembly and lower freight costs



Each stall system comes complete with all the pre-fabricated parts and accessories required for quick and easy assembly.

Paragon stall systems are designed to minimize freight costs because all wood materials may be purchased locally to avoid unnecessary shipping costs.

Although Paragon offers complete door and wall systems, individual parts may be ordered separately thereby increasing the expansion capabilities and flexibility required in designing the desired stall or stable plan.

Paragon components are constructed of aluminum to resist rust, corrosion and abuse, and they exceed the industry's highest safety and manufacturing standards.

10' STALL PARTITIONS

QUANTITY	SIZE	DESCRIPTION
2	10'	PUNCHED STALL RAILS
30	30"	BARS
2	8'	PLAIN STALL RAILS

ADDITIONAL MATERIALS REQUIRED:

14 2" X 6" X 10' TONGUE & GROOVE AND FASTENERS

12' STALL PARTITIONS

QUANTITY	SIZE	DESCRIPTION
2	10'	PUNCHED STALL RAILS
35	30"	BARS
2	8'	PLAIN STALL RAILS

ADDITIONAL MATERIALS REQUIRED:

14 2" X 6" X 12' TONGUE & GROOVE AND FASTENERS

Paragon quality stall systems features:

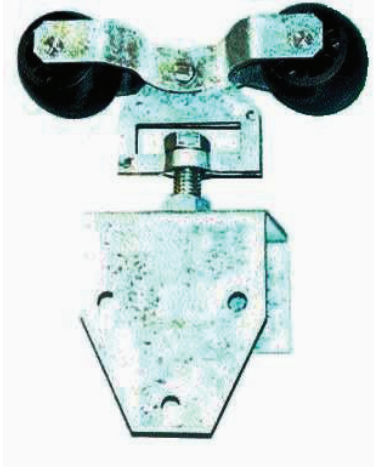


SLIDING DOOR TRACK AND HARDWARE

SLIDING DOOR HARDWARE PACKAGE

Includes:

- 1 8' Side Mount Track
- 2 Track End Plugs
- 2 Wood Door Trolley Hangers
- 1 Sliding Bolt Latch
- 1 Adjustable Stay Roller
- 1 Door Stop



Track

- 14 gauge steel track provides strength to withstand all horse stall door applications
- Round track is self-cleaning which assures continually smooth, easy rolling doors
- Pre-attached mounting brackets are self-squaring and minimize installation time

Trolleys

- Durable Delrin 500 trolley wheels provide a strong and quiet hanger ideal for horse barns

SLIDING DOOR HARDWARE PACKAGE

Same as above but with 9-1/2" offset trolley hangers



Paragon Pacific/SPI

Specialists in Air Handling, Firestopping Products, Mechanical & Industrial Insulation, Metal Building, Residential and Commercial Insulation, and Specialty Products.



18270 Segale Park Drive B, Tukwila, WA 98188
501 N Quay, Ste. B-106, Kennewick, WA 99336
6709 NE 59th Pl, Bldg 8, Portland, OR 97218
319 Ehrman Circle, Medford, OR 97501
2000 East Commercial, Meridian, ID 83640

(253) 872-0800
(509) 585-8885
(503) 282-3275
(541) 245-3284
(208) 887-9955