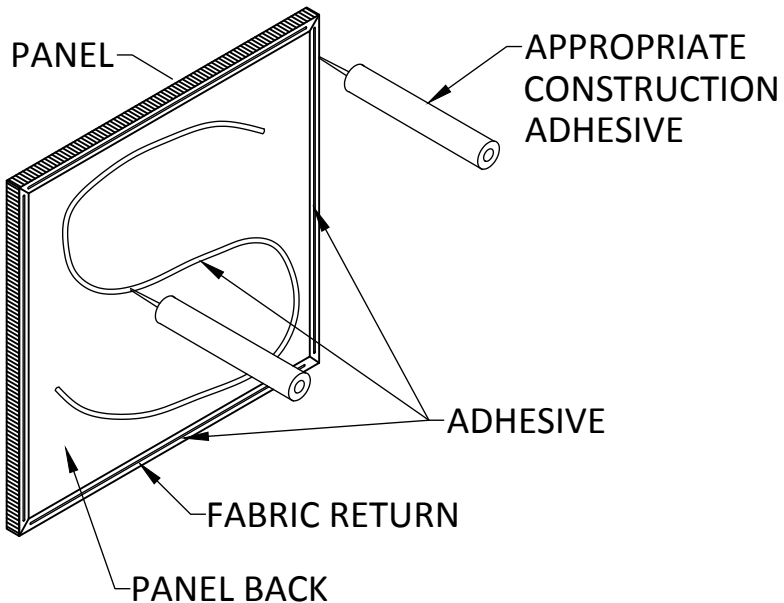



REVISIONS				
ZONE	REV	DESCRIPTION	DATE	APPROVED

WALL INSTALLATION INSTRUCTIONS - ADHESIVE ONLY METHOD



1. DETERMINE WHERE PANELS ARE TO BE INSTALLED (SURFACE MUST BE FLAT AND SMOOTH).
2. CLEAN WALL SURFACE (MUST BE DRY, FREE OF DIRT & DUST, OIL, LOOSE PAINT OR ANYTHING THAT COULD IMPACT BONDING).
3. APPLY APPROPRIATE CONSTRUCTION ADHESIVE TO PANEL FABRIC BACK WRAP, AWAY FROM FINISHED EDGE, AS SHOWN IN DETAIL AT LEFT.
4. APPLY AN "S" PATTERN OF ADHESIVE IN THE CENTER OF THE PANEL.
5. CLEAN SCREWS OR FINISH NAILS CAN BE USED TO HOLD PANELS TEMPORARILY UNTIL THE ADHESIVE CURES (CHECK ADHESIVE LABEL FOR CURE TIMES).

CAUTION: ADHESIVES CAN SKIN OVER QUICKLY AND LOOSE SIGNIFICANT HOLDING POWER. THEREFORE READ ADHESIVE INSTRUCTIONS CAREFULLY AND INSTALL ONE PANEL AT A TIME.

	ABSORPTION PLUS PANEL			
	IMPACT AND TACK PANEL			
INSTALLATION INSTRUCTIONS ADHESIVE ONLY METHOD				
	SIZE A	FSCM NO.	DWG NO. 20000364	REV 3
JAN. 24, 2012		SCALE N/A	DRWN ZCH	SHEET 1 OF 1