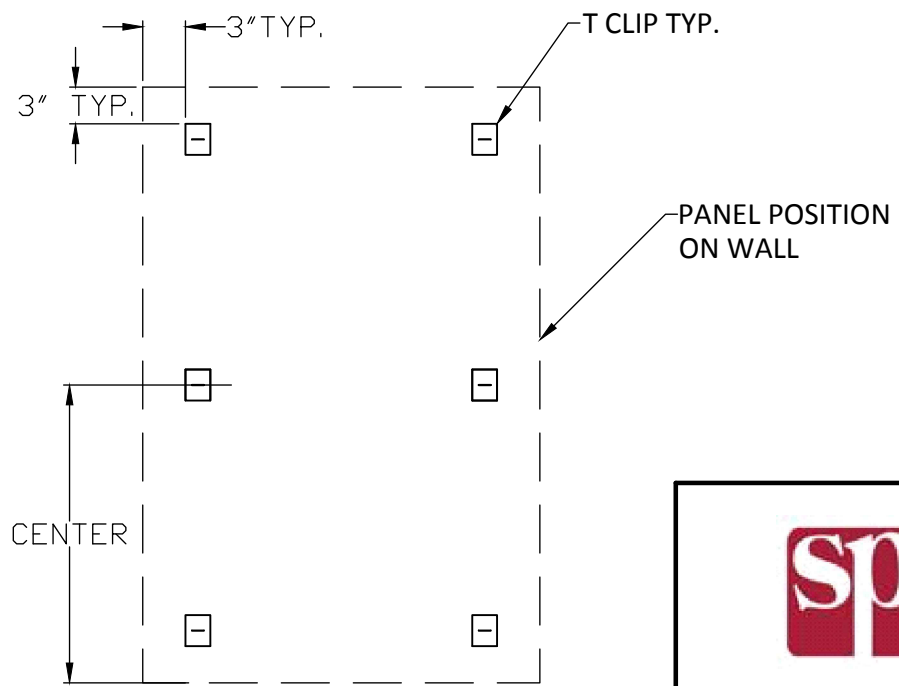
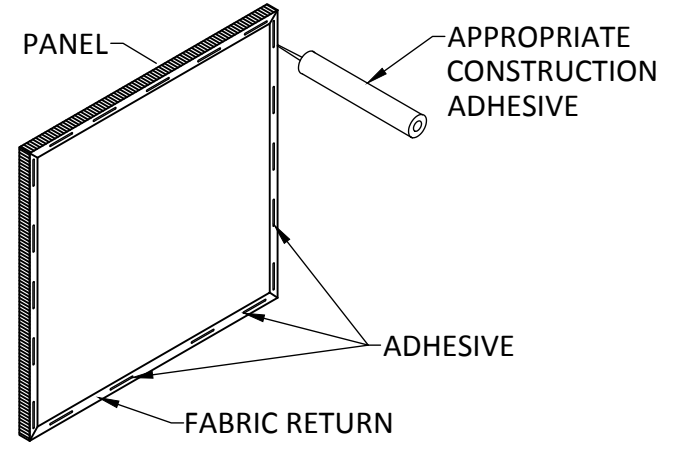
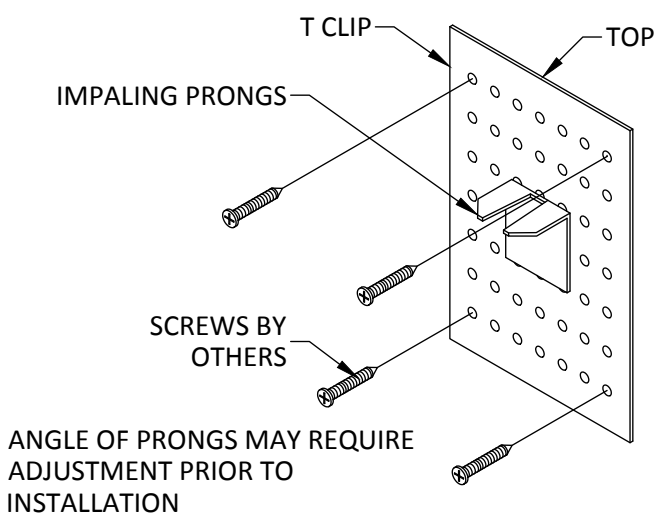



REVISIONS				
ZONE	REV	DESCRIPTION	DATE	APPROVED



1. DETERMINE WHERE PANELS ARE TO BE INSTALLED
2. SCREW T-CLIPS INTO PLACE ON WALL PER INSTRUCTIONS AND TABLE AT RIGHT
3. CLEAN WALL SURFACE AND APPLY CONSTRUCTION ADHESIVE TO PANEL BACK AS SHOWN (ADHESIVE TO BE APPLIED TO FABRIC RETURN AREA ONLY)
4. IMPALE PANELS ONTO CLIPS

PANEL LENGTH	# OF CLIPS
UP TO 24"	4
24" TO 48"	4
48" TO 72"	4 - 6
72" TO 96"	6 - 8
96" TO 120"	8

	<b>ABSORPTION PLUS PANEL IMPACT AND TACK PANEL</b>		
	<b>INSTALLATION INSTRUCTIONS FOR T-CLIP MOUNTING WITH CONSTRUCTION ADHESIVE</b>		
<b>SIZE</b> A	<b>FSCM NO.</b>	<b>DWG NO.</b> 20000361	<b>REV</b> 1
DEC. 15, 2011		<b>SCALE</b> N/A	<b>DRWN</b> ZCH
<b>SHEET</b> 1 OF 1			